



Type	Size (mm)	Length (mm) L	Length including nut nipple (mm)	Width (mm) W	Height (mm) H	Connecting Thread D
MULTIJET CLASS-B KING	15	165	250	97	109	G 3/4 B
	20	190	290	98	110	G 1 B
	25	260	380	104	117	G 1/4 B
	40	300	430	125	148	G 2 B
	50	330	470	125	148	G2 1/2 B

SALIENT FEATURES

- Dry-dial, magnetic drive, protected against external magnetic tampering;
- Vacuum sealed register, frost resistant, keeps clear reading for long time
- Brass body, cast body or plastic body, optional;
- Internal or external adjusting device, optional;
- The meters conform to IS 779 : 1994/ISO-4064/1 Standard Class B;

Working Conditions

Water Temperature $\leq 45^{\circ}\text{C}$
 Water Pressure $\leq 1\text{MPa}$
 Maximum Pressure-16 Bar

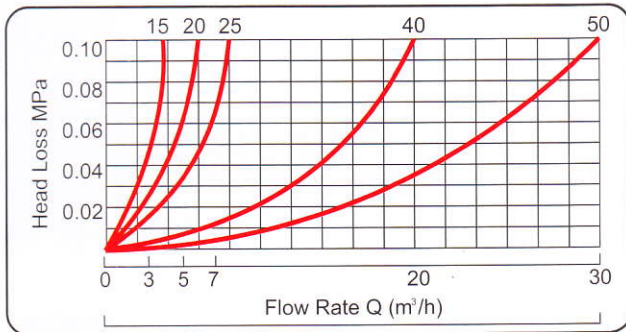
Accuracy :

From minimum flow rate (Q_{\min}) Inclusive to transitional flow rate (Q_t), Exclusive $\pm 5\%$
 From transitional flow rate (Q_t) Inclusive to Maximum flow rate (Q_{\max}), Exclusive $\pm 2\%$

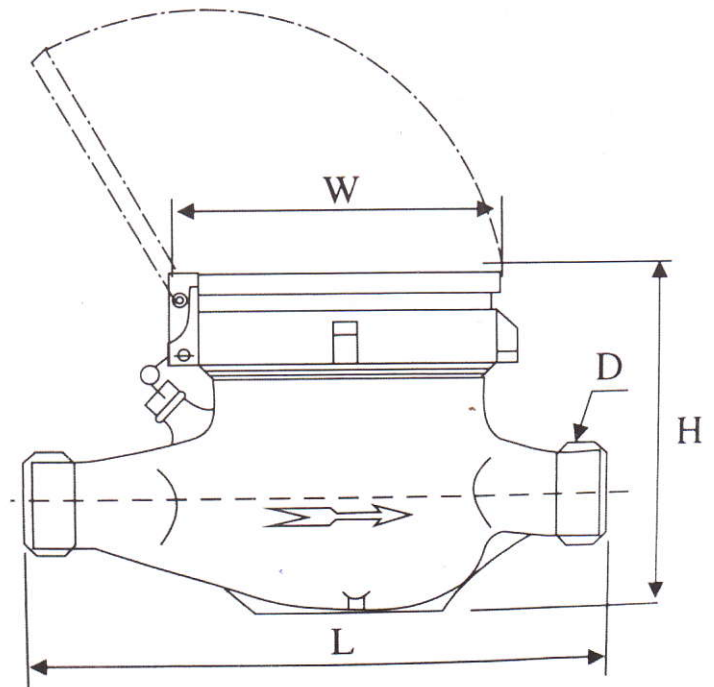
PERFORMANCE DATA

Nominal Size DN (mm)	Minimum Reading Quantity In Litres	Hydro Static Test	Maximum Flow Rate in Q_{\max} -Lts./Hr	Tominal Flow rate Q_n -Lts/hr	Transitional flow rate Q_n .Lts/hr	Minimum Starting Flow Q_{\min} -Lts/hr
15	0.1	2.0MPa	3000	1500	120	30
20	0.1	2.0MPa	5000	2500	200	50
25	0.1	2.0MPa	7000	3500	280	70
40	0.1	2.0MPa	20000	10000	800	200
50	0.1	2.0MPa	30000	15000	1200	300

Head Loss Curve:



Dimension



ERROR CURVE

